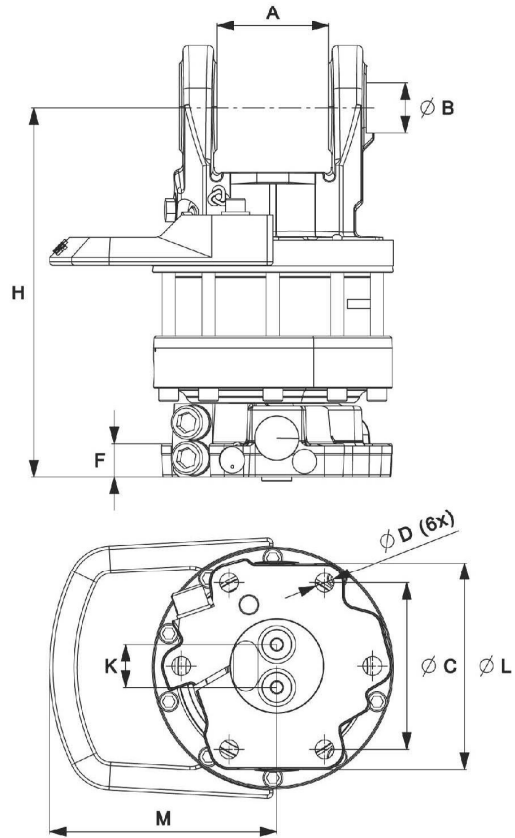
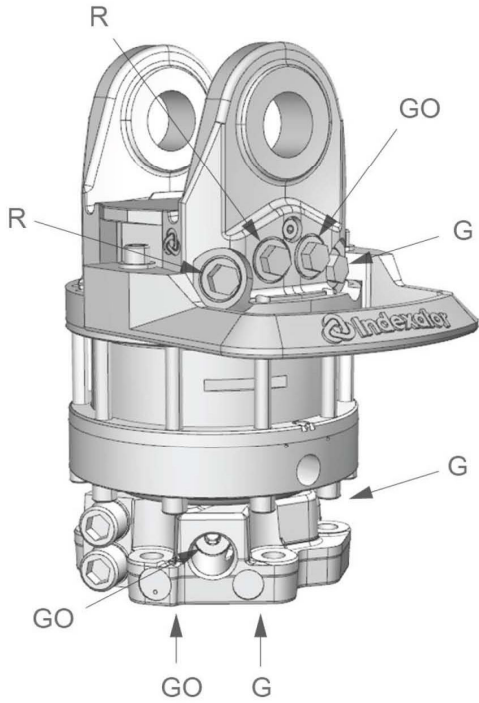











GV 12S

Part No.: 5212275



Upper connection	Lower connection
G 1/2	G 1/2

A: 101 mm	B: Ø45 mm	C: Ø173 mm	D: Ø17 mm	F: 30 mm	H: 333 mm	K: 38,5 mm	L: Ø209 mm	M: 202 mm
--------------	--------------	---------------	--------------	-------------	--------------	---------------	---------------	--------------

 57.7 kg	 360°	Max  100 kN	Max  50 kN	 2200 Nm	Max  25 l/min	Max  25 MPa	Max  25 MPa	Max  25 MPa
--	---	--	---	--	---	--	--	--

www.indexator.com